

## EQWP4510IK Built-in Hob



### A world of new cooking possibilities

The Direct Access control system on this hob lets you instantly set the exact cooking level that you desire with just a touch of the finger.



### Professional wok set included

The professional wok pan included with this induction hob makes it possible to start exploring the delicious world of wok cooking right away.



### A taste of Asia – quickly and simply

Entertain your family and friends with Asian-inspired wok dishes with this hob. The curved induction plate is specially designed for fast, hot wok-cooking.

### More Benefits :

- Power booster function to reach high temperatures extra fast
- CountUp timer for a more natural way to time how long things take

### Features :

- Stop &Go function - great for unexpected interruptions
- Residual heat indicators
- Individual timers
- Child safety control lock
- Auto safety switch off

### Technical Specs :

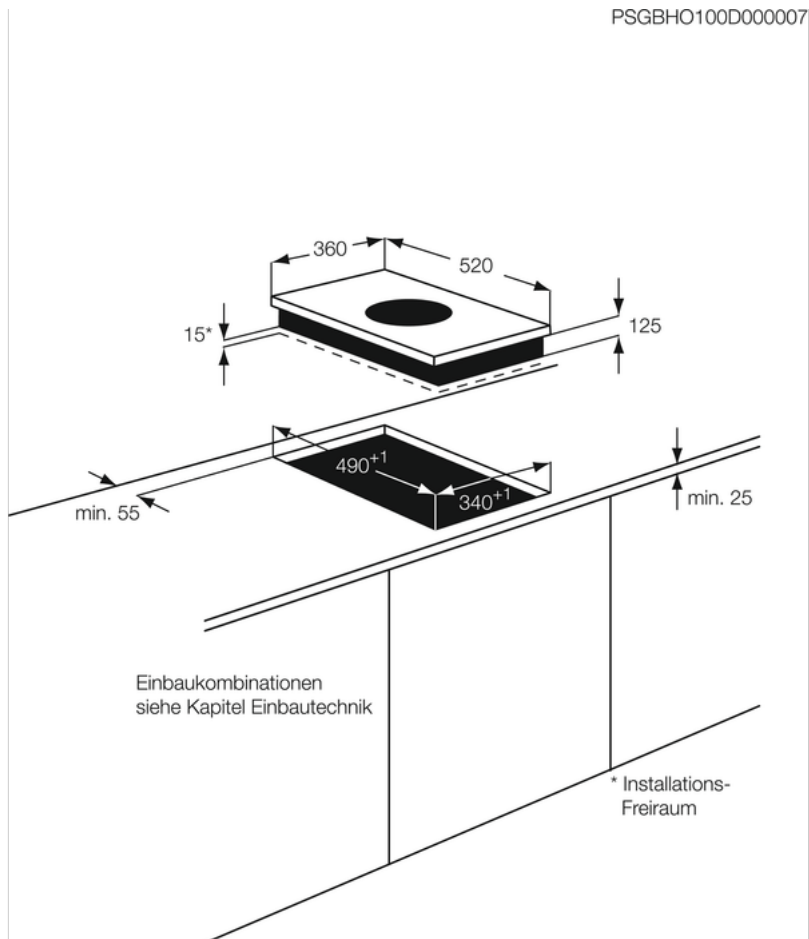
- Hobs Dimensions : 360x520
- Aperture dimensions HxVxD in mm : 125x340x490
- Radius cutting : 5
- Total electricity loading, W : 3200
- Cord Length : 1.6
- Hob safety : Automatic Switch Off, Child-lock, Key-lock
- Left front - Power/Diameter : 0W/0mm
- Middle front - Power/Diameter : 2300W/3200W/300mm
- Middle rear - Power/Diameter : 0W/0mm
- Rear - Power/Diameter : 0W/0mm
- Right front - Power/Diameter : 0W/0mm
- Right rear - Power/Diameter : 0W/0mm
- Gas supply: natural gas : No
- Gas replacement : No
- Gas replacement : No
- Residual heat indicator : 7 Segments
- Led Colour : Red
- Product Partner Code : KR Partn

### Product Description :

The Direct Access control system on this hob lets you instantly set the exact cooking level that you desire with just a touch of the finger. 36cm frameless black induction hob, with professional wok pan included.

# EQWP4510IK Built-in Hob

PSGBHO100D000007



PSGBHO140D002016

