

BCK452210M Built-in Oven



ADD STEAM FOR CRISPIER BAKING

In addition to all your standard oven functions, the PlusSteam button in this SteamBake oven adds steam at the beginning of the baking process. The steam cooking keeps the dough moist on the surface to create a golden color and tasty crust, while the heat



Perfect results with the Food Sensor

Thanks to the Food Sensor of this oven you can measure the core temperature from the center of your dish during the cooking process. So you get the perfect results everytime.



Easy-cleaning fan cover for ongoing shine

Use the catalytic lining for the fan in your oven. Activating at 200°C to absorb grease and residue, the attachable add-on doesn't need to be scrubbed to shine, its easy-cleaning technology ensuring the fan remains spotless.

More Benefits :

- The Soft Closing Door system ensures a smooth and soundless door closing
- Allowing you to stay in control of the cooking process
- The clever Hot Air convection system ensures hot air circulates evenly throughout the oven cavity, for a cooking process that is faster, and more

Features :

- 71 litre oven capacity
- Heat activated catalytic cleaning
- Isofront® plus triple glazed door
- Fan controlled defrosting
- LED digital display
- Conventional cooking
- Base heat finishing
- Food probe

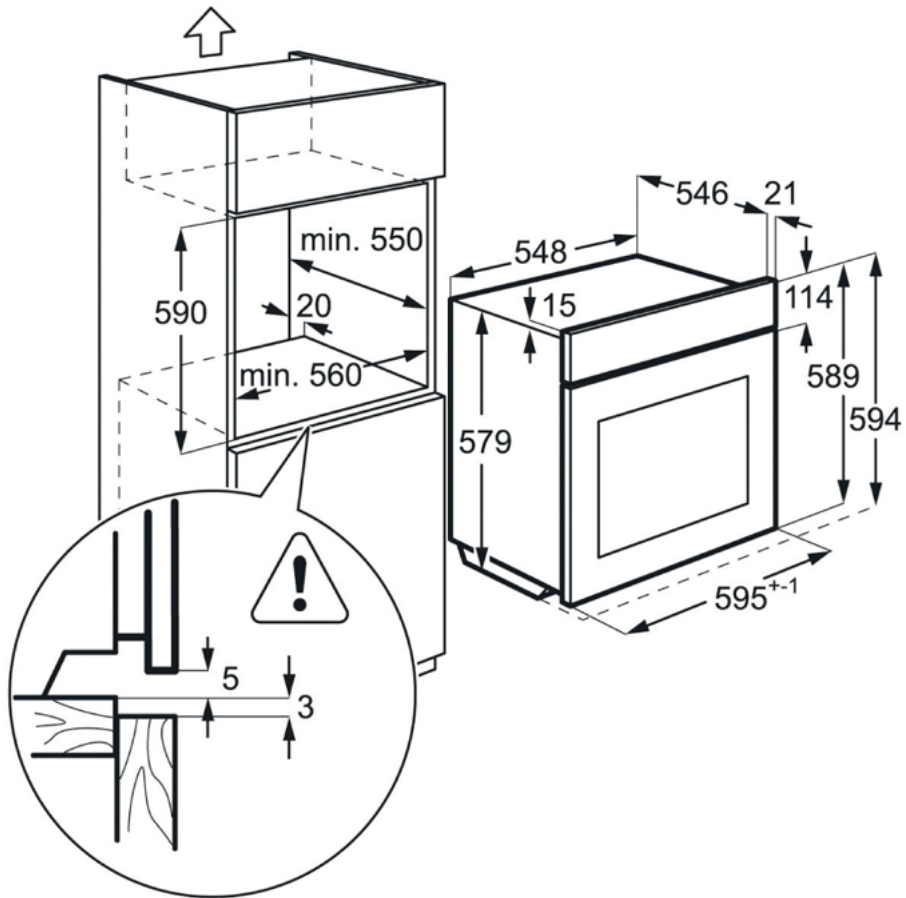
Technical Specs :

- Cleaning : Catalytic
- Cavity coating : Catalytic fan cover, Grey Enamel
- Dimensions (mm) (HxWxD) : 594x595x567
- Dimensions : 590x560x550
- Total electricity loading, W : 3200
- Voltage : 230/240
- Required Fuse : 16
- Frequency : 50
- Temperature range : 50°C - 275°C
- Maximum Microwave output (W) : 0
- Volume usable, l : 71
- Largest Surface area : 1418
- Noise : 47
- Energy class : A
- Energy consumption, conventional mode, kWh per cycle : 0.99
- Energy consumption per EU standard cycle : 0
- Product Partner Code : K - Customer Specific KRT
- Colour : Stainless Steel with antifingerprint coating

Product Description :

BCK452210M Built-in Oven

PSGBOV170D363001



PSGBOV170D363002

