

BPS551220M Built-in Oven



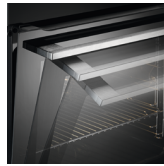
ADD STEAM FOR CRISPIER BAKING

In addition to all your standard oven functions, the PlusSteam button in this SteamBake oven adds steam at the beginning of the baking process. The steam cooking keeps the dough moist on the surface to create a golden color and tasty crust, while the heat



A self-cleaning oven

With one touch of the Pyrolytic cleaning function, dirt, grease and food residue in the oven is converted into ash that you can easily wipe off with a damp cloth.



A luxurious look and feel combined with premium performance

The Soft Closing Door technology built into the soft closing door ensures that the door always shuts softly and silently, to deliver both the look and feel of premium performance.

More Benefits :

- The clever Hot Air convection system ensures hot air circulates evenly throughout the oven cavity, for a cooking process that is faster, and more
- Hexagon timer display gives you even tighter control over the precise cooking of your dishes
- Safe to Touch Top keeps the door cool and safe to touch

Features :

- 71 litre oven capacity
- Isofront® Plus quadruple glazed door
- Fan controlled defrosting
- LED digital display
- Base heat finishing
- Auto safety switch off and child lock

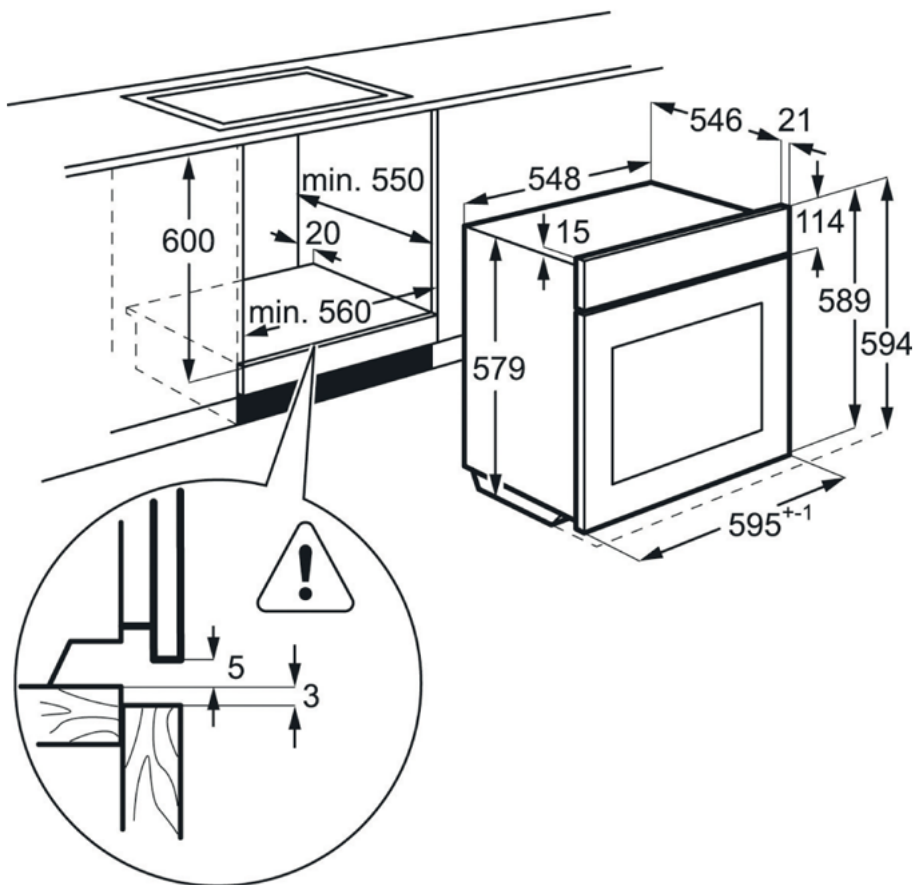
Technical Specs :

- Cleaning : Pyrolytic
- Cavity coating : Grey Enamel
- Dimensions (mm) (HxWxD) : 594x595x567
- Dimensions : 590x560x550
- Total electricity loading, W : 3200
- Voltage : 240
- Required Fuse : 16
- Frequency : 50
- Temperature range : 30°C - 300°C
- Maximum Microwave output (W) : 0
- Volume usable, l : 71
- Largest Surface area : 1418
- Noise : 48
- Energy class : A+
- Energy consumption, conventional mode, kWh per cycle : 1.09
- Energy consumption per EU standard cycle : 0
- Product Partner Code : S - Customer Specific ERT
- Colour : Stainless Steel with antifingerprint coating

Product Description :

BPS551220M Built-in Oven

PSGBOV170D363002



PSGBOV170D363001

